

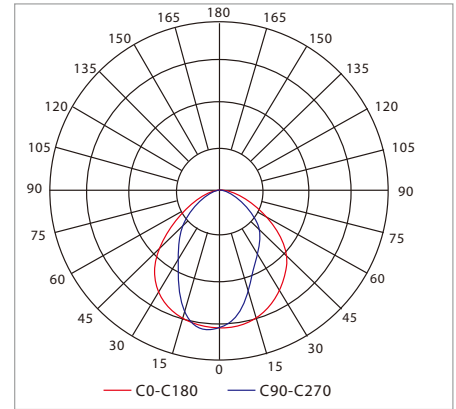
FLOOD LIGHT



TLT-FL34A



PHOTOMETRIC

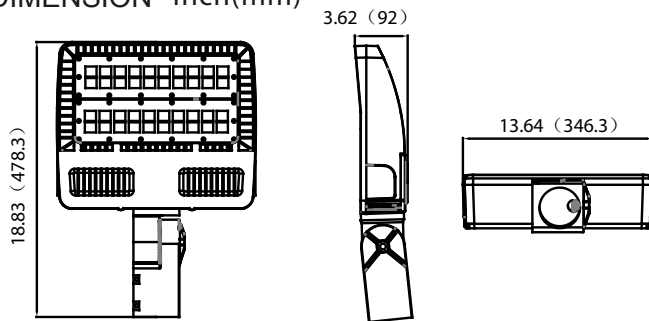


PRODUCT PARAMETERS

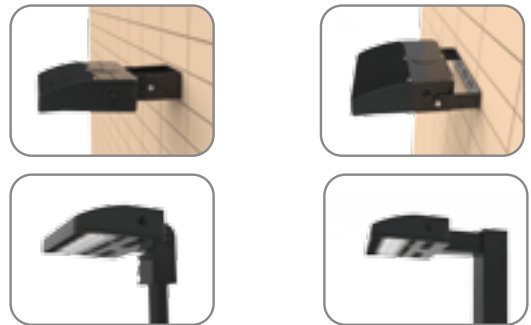
MODEL	VOLTAGE (V)	WATT(W)	4000K EFFICACY (LM/W)	4000K LUMENS (LM)	BEAM ANGLE (H-V)	REPLACE	DIMMING	ETL & CETL	DLC	CRI	POWER FACTOR	AVAILABLE CCT(K)
TLT-FL34A-150	120-277	150	125	18750	100°-60°	400-600W HID	Available	✓	✓	>75	>0.92	4000 5000
TLT-FL34A-150	347-480	150	125	18750	100°-60°	400-600W HID	Available	✓				
TLT-FL34A-200	120-277	200	120	24000	100°-60°	400-750W HID	Available	✓	✓			
TLT-FL34A-200	347-480	200	120	24000	100°-60°	400-750W HID	Available	✓				

For the 5000K products, the EFFICACY and LUMENS will be about 3-5% higher

DIMENSION Inch(mm)



INSTALLATION



PACKAGE INFORMATION

MODEL	INNER BOX (MM)	MASTER CARTON (MM)	QTY/CTN	NET WEIGHT(KG)	GROSS WEIGHT(KG)	CUBIC METER
TLT-FL34A-150	N/A	495*380*150	1	7.7	8.9	0.029
TLT-FL34A-200	N/A	495*380*150	1	7.8	9	0.029

OPTIONAL ACCESSORIES



10KV SPD
120-277V



BUTTON STYLE
PHOTOCELL
120-277V



DIMMABLE MOTION
SENSOR
120-277V