

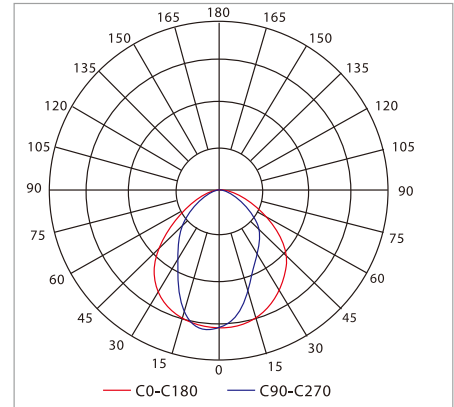
**FLOOD LIGHT**



**TLT-FL35A**



**PHOTOMETRIC**

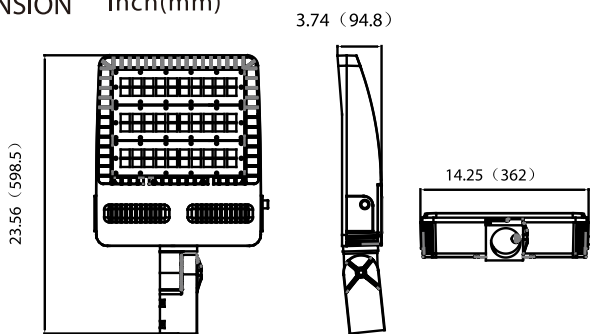


**PRODUCT PARAMETERS**

MODEL	VOLTAGE (V)	WATT(W)	4000K EFFICACY (LM/W)	4000K LUMENS (LM)	BEAM ANGLE (H-V)	REPLACE	DIMMING	ETL& CETL	DLC	CRI	POWER FACTOR	AVAILABLE CCT(K)
TLT-FL35A-240	120-277	240	125	30000	100°-60°	750-1000W HID	Available	✓	✓	>75	>0.92	4000 5000
TLT-FL35A-240	347-480	240	125	30000	100°-60°	750-1000W HID	Available	✓				
TLT-FL35A-300	120-277	300	120	36000	100°-60°	1000-1500W HID	Available	✓				
TLT-FL35A-300	347-480	300	120	36000	100°-60°	1000-1500W HID	Available	✓				

For the 5000K products, the EFFICACY and LUMENS will be about 3-5% higher

**DIMENSION** Inch(mm)



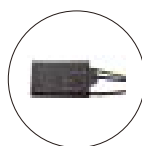
**INSTALLATION**



**PACKAGE INFORMATION**

MODEL	INNER BOX (MM)	MASTER CARTON (MM)	QTY/CTN	NET WEIGHT(KG)	GROSS WEIGHT(KG)	CUBIC METER
TLT-FL35A-240	N/A	615*390*155	1	9.9	11.2	0.038
TLT-FL35A-300	N/A	615*390*155	1	10.4	11.7	0.038

**OPTIONAL ACCESSORIES**



10KV SPD  
120-277V



BUTTON STYLE  
PHOTOCELL  
120-277V



DIMMABLE MOTION  
SENSOR  
120-277V