

WARRANTY
5 YEAR

-40~+40 °C

Downlights



Ultra thin Round Panel Light. SMD2835 LED Chip, isolated internal driver in junction box. Easy to install with just opening a hole in the ceiling, then snapping fixture in opening ceiling with spring clips.

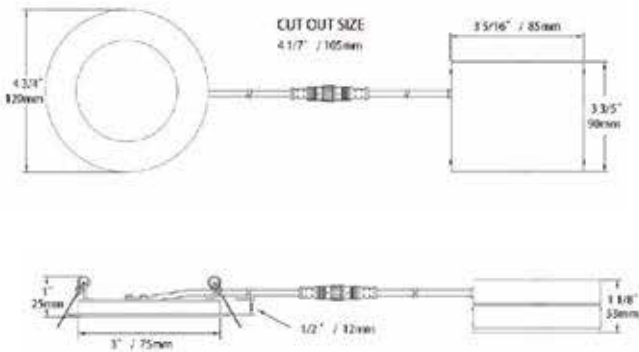
White, Brushed Nickel and Black trim available.

PRODUCT PARAMETERS

MODEL	VOLTAGE (V)	WATT(W)	LUMEN OUTPUT	SIZE	BEAM ANGLE	AVAILABLE CCT(K)	DIMMING	ETL& CETL	DLC	CRI	POWER FACTOR
TLT-RD4-10w	120	10W	550lm	4"	120°	2700k 3000k 4000k 5000k	yes	✓		>80	>0.95
TLT-RD6-15w	120	15W	850lm	6"	120°		yes	✓			

DIMENSION Inch(mm)

TLT-RD4-10W



TLT-RD6-15W

